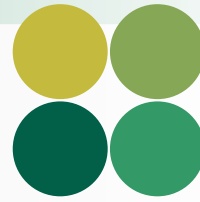


Universal Motion Components

Quality Irrigation Products



UMC is a ISO 9001:2015
Certified Company



UMC

www.umcproducts.com

2920 Airway Ave, Costa Mesa, Ca. 92626
phone: 714.437.9600 fax: 714.437.9700

Final Drive Gearbox



740-UV™ Gearbox

The most versatile standard 52:1 gearbox in the industry

The UMC 740-UV™ gearbox is purpose built for center pivot and lateral / linear systems that use 52:1 gearboxes and offset wheels. It is also a direct replacement for competitive brands that use 52:1 gearboxes as standard on their machines.

Part Number	Gear Ratio
10141-106AD	52:1

Features and Benefits

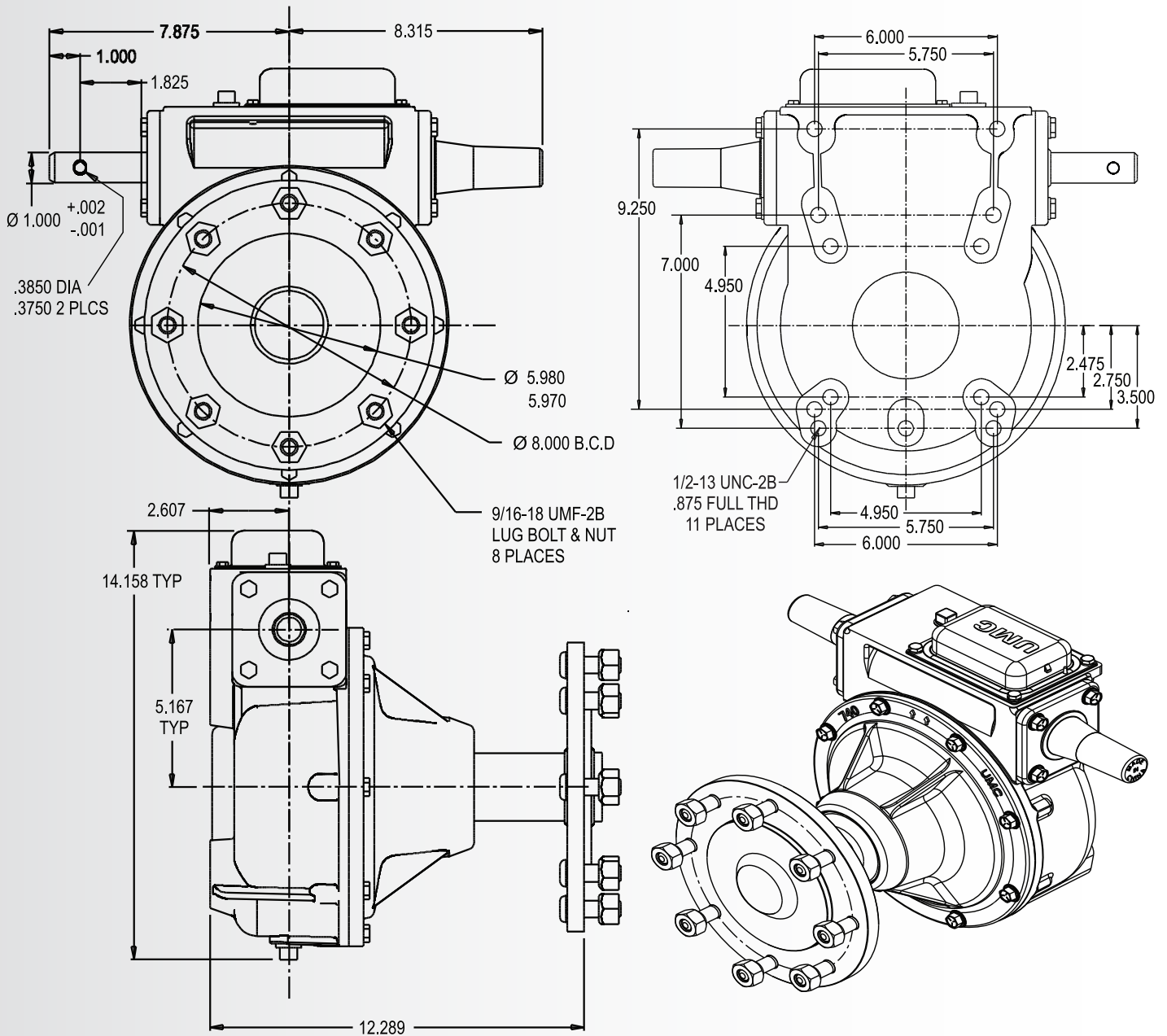
The UMC 740-UV™ gearbox features a 52:1 gear ratio, a 2.25" diameter extended output shaft, large input bearings, cartridge seals and enhanced gear material that allows for increased load capacity, reduced gear wear and lower operating temperatures.

- ▶ 2.25" diameter extended steel output shaft
- ▶ 52:1 gear ratio with a 25° pressure angle and full recess action gear design
- ▶ Cartridge input and output seals
- ▶ Large input bearings
- ▶ 13-Bolt mounting pattern
- ▶ Full cycle external expansion chamber with stainless steel cover
- ▶ Enhanced gear material that increases load capacity, reduces gear wear and lowers operating temperatures, extending gear life
- ▶ External seal protectors for input and output seals
- ▶ Top oil fill plug
- ▶ Filled with extreme pressure gear oil
- ▶ Dual ended input shaft with a hub cap for the unused end
- ▶ Extra long carriage bolts allow use with reinforced rims
- ▶ Positive wheel register

sales@umcproducts.com

Universal Motion Components

Dimensional Drawing 740-UV Final Drive Gearbox



Universal mounting bolt pattern fits most Lindsay, Reinke, and Lockwood systems.

sales@umcproducts.com



Universal Motion Components, Co. Inc.
2920 Airway Ave, Costa Mesa, Ca. 92626
Phone - 714-437-9600 Fax - 714-437-9700
Web - <http://www.umcproducts.com>
E-mail - sales@umcproducts.com