

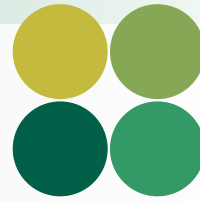
Universal Motion Components

Quality Irrigation Products



ISO 9001:2015 Registered QMS

UMC is a ISO 9001:2015
Certified Company



UMC

www.umcproducts.com

2920 Airway Ave, Costa Mesa, Ca. 92626
phone: 714.437.9600 fax: 714.437.9700

Final Drive Gearbox



725-U™ Gearbox

Designed for lightweight spans and small tires

The UMC 725-U™ gearbox is designed for use on center pivots and lateral / linear irrigation systems with lightweight spans. It is a step up from the Moderate Duty™ gearbox with a larger diameter output shaft and larger output bearings allowing it to handle more overhung load.

Part Number
06547-105A

Gear Ratio
50:1

Features and Benefits

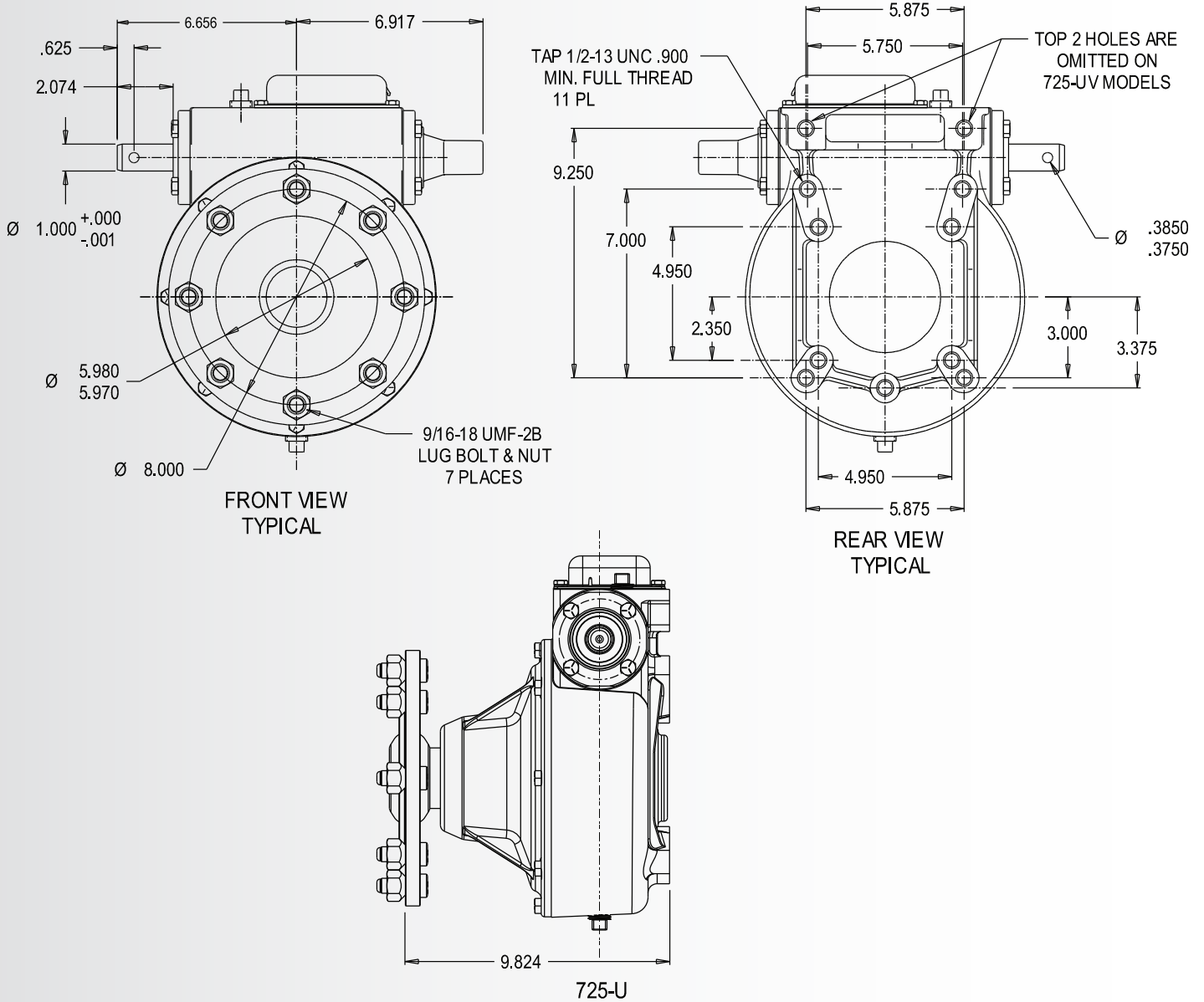
The UMC 725-U™ gearbox features a 50:1 gear ratio, a 2.25" diameter output shaft, a steel worm gear and a cast iron bull gear.

- ▶ 2.25" diameter steel output shaft
- ▶ 50:1 gear ratio
- ▶ Dual input seals and a triple lip output seal"
- ▶ Full cycle external expansion chamber with stainless steel cover
- ▶ 11-Bolt mounting pattern
- ▶ External seal protectors for input and output seals
- ▶ Top oil fill plug
- ▶ Filled with extreme pressure gear oil
- ▶ Dual ended input shaft with a hub cap for the unused end
- ▶ Positive wheel register

sales@umcproducts.com

Universal Motion Components

Dimensional Drawing 725-U Final Drive Gearbox



Universal mounting bolt pattern fits most Lindsay, Reinke, and Lockwood systems.

Sales@umcproducts.com



CN www.umcproducts.com



Universal Motion Components, Co. Inc.
 2920 Airway Ave, Costa Mesa, Ca. 92626
 Phone - 714-437-9600 Fax - 714-437-9700
 Web - <http://www.umcproducts.com>
 E-mail - sales@umcproducts.com